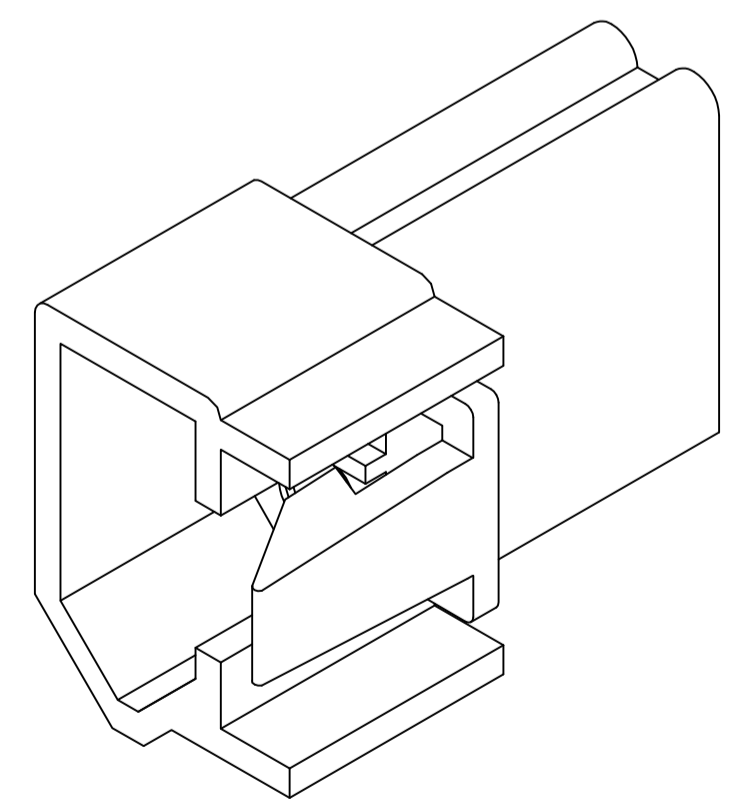


TYPICAL PLUG CAVITY SECTION (DIMENSIONS REFERENCE ONLY)

- 1 AMP LOGO, CIRCUIT NUMBERS, LOCATED APPROXIMATELY AS SHOWN.
- 2 MATERIAL: NYLON, UL94V-2, NATURAL.
- 3 MATERIAL: NYLON, UL94V-0, NATURAL.
- 4 MATERIAL: NYLON, UL94V-2, NATURAL.
- 5 HOUSING MATERIAL MEETS MINIMUM GLOW WIRE FLAMMABILITY INDEX OF 850°C PER IEC 60695-2-12 AND GLOW WIRE IGNITION TEMP OF 750°C PER IEC 60695-2-13.
- 6 PRELIMINARY - NOT FOR PRODUCTION

MATING CONNECTOR INTERFACE



3 DIMENSIONAL MODEL NTS

IN	MM	IN	MM
.270	6.86	1.031	26.19
.255	6.48	.656	16.66
.248	6.30	.540	13.72
.010	0.25	.536	13.61
.005	0.13	.365	9.27
IN	MM	IN	MM

CONVERSION TABLE

5	4	6	770425-3
	3		770425-2
	2		770425-1
		MATERIAL	PART NUMBER

THIS DRAWING IS A CONTROLLED DOCUMENT.

DIMENSIONS: INCHES	TOLERANCES UNLESS OTHERWISE SPECIFIED:	DIN K.WHITAKER 8-19-88	NAME
0. PLC ± -	1. PLC ± -	CHK R.SWING 8-19-88	PLUG, POSITIVE LOCK, 2 CIRCUIT, COMMERCIAL PIN AND SOCKET
2. PLC ± -	3. PLC ± .005	APVD R.CARSON 8-19-88	APPLICATION SPEC
4. PLC ± -	ANGLES ± ±		SIZE A1
			SCALE 5:1
MATERIAL SEE TABLE	FINISH -	WEIGHT -	SHEET 1 OF 1
		CUSTOMER DRAWING	REV E

STE TE Connectivity